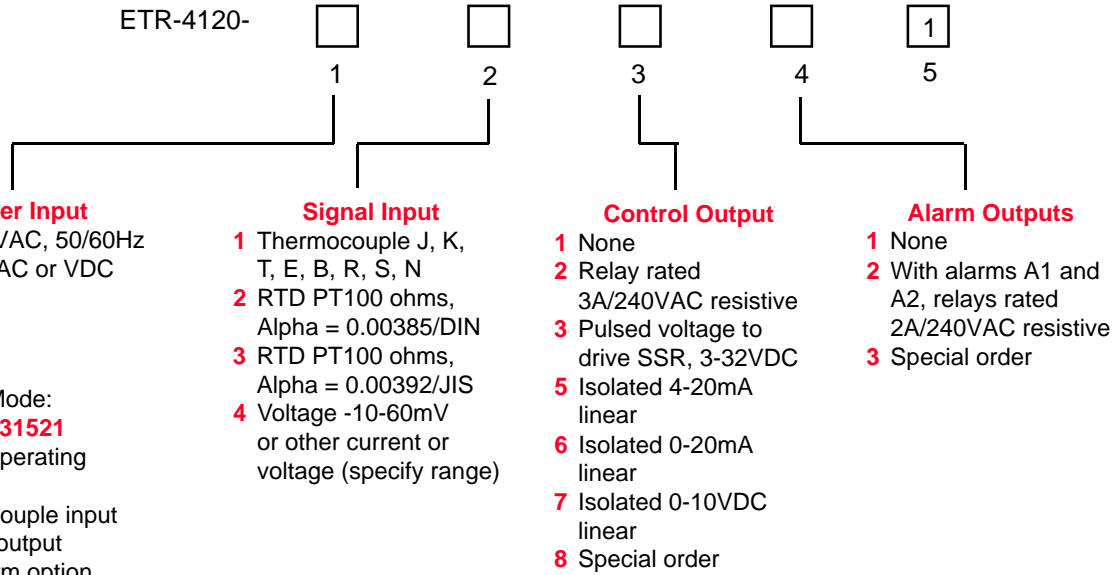


**ORDERING INFORMATION FOR ¼ DIN ETR-4120 SMARTER LOGIC®
MICROPROCESSOR BASED TEMPERATURE CONTROLS**

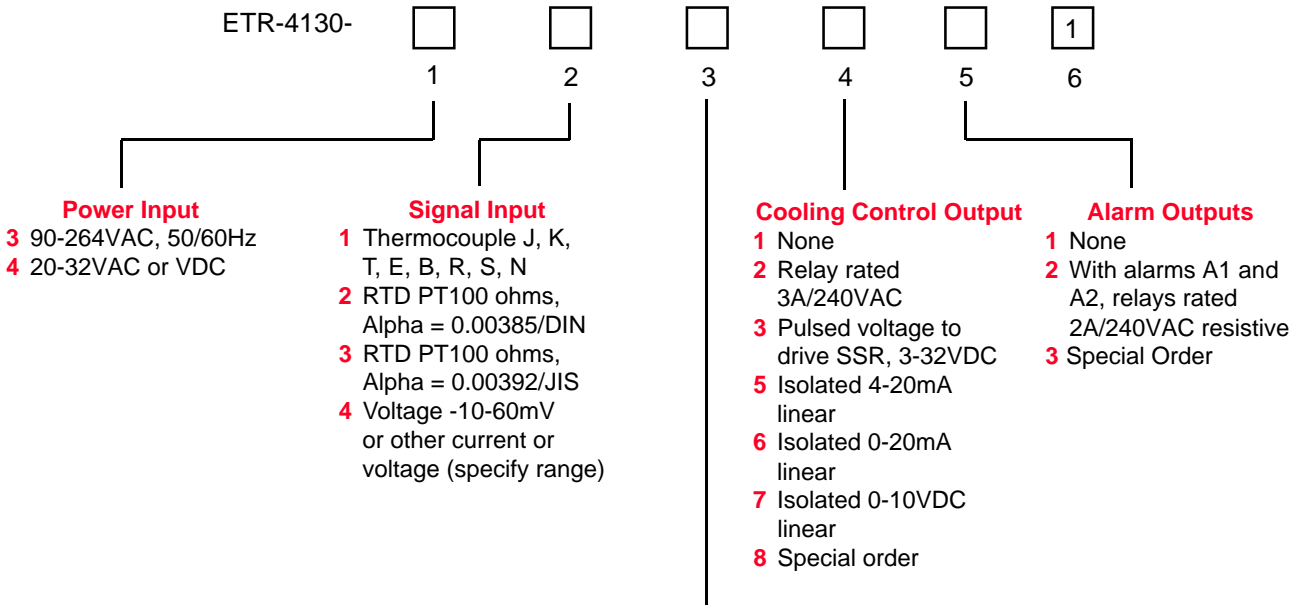


Example
 Standard Mode:
ETR-4120-31521

- 90-264 operating voltage
- Thermocouple input
- 4-20mA output
- With alarm option
- No Communications

Not all configurations are available from stock.

**ORDERING INFORMATION FOR ¼ DIN ETR-4130 SMARTER LOGIC®
MICROPROCESSOR BASED TEMPERATURE CONTROLS**



Example
 Standard Mode:
ETR-4130-322221

- 90-264 operating voltage
- RTD input
- Relay output-heating
- Relay output-cooling
- With alarm option
- No Communications

Not all configurations are available from stock.