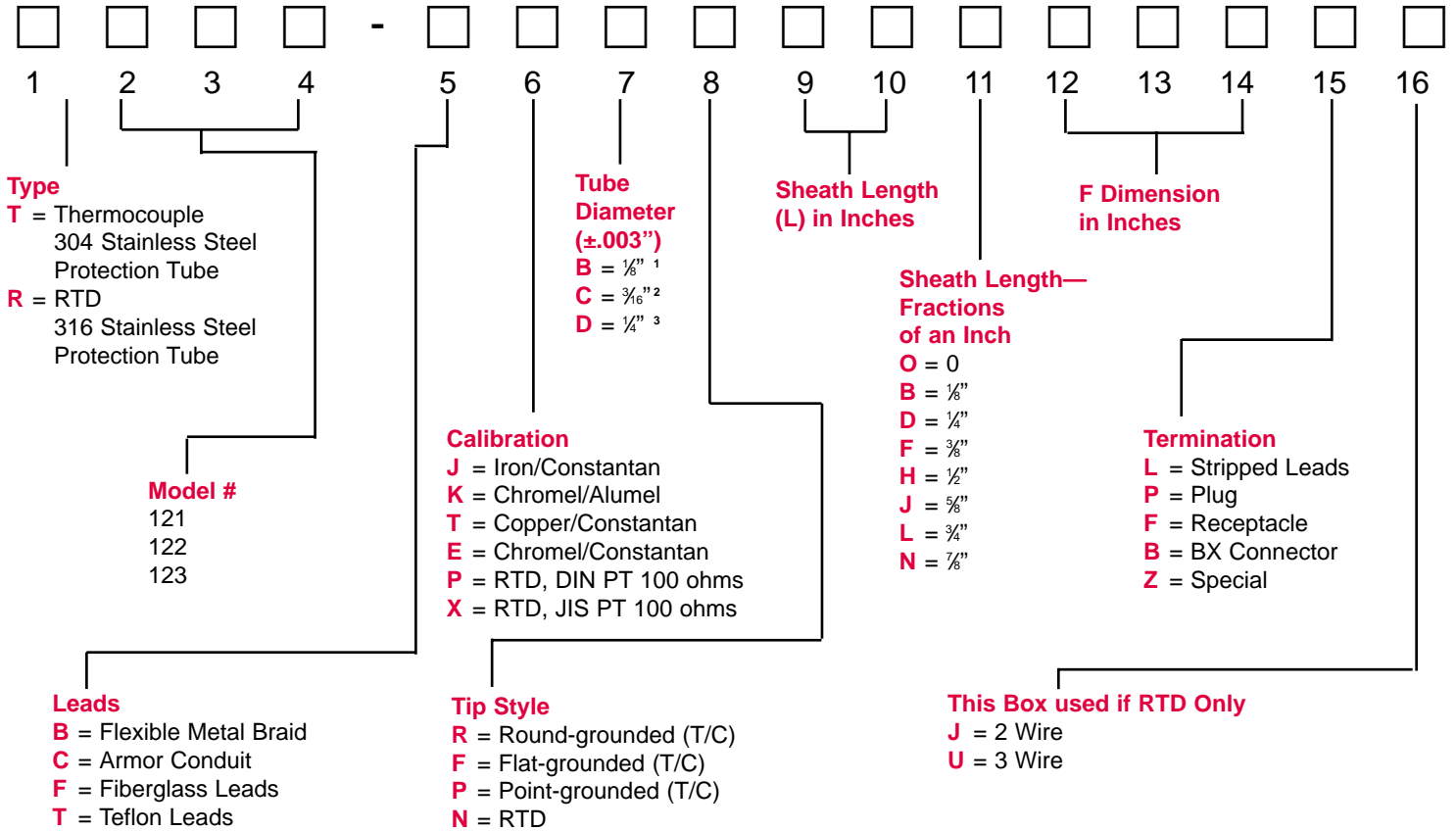


# COMPRESSION TYPE MEDIUM DUTY THERMOCOUPLES AND RTD'S

## ORDERING INFORMATION



**EXAMPLE:**

T121—BJCR06H072P  
 R121—TPCR04O048LU

<sup>1</sup> 24 ga. stranded thermocouple wire  
<sup>2,3</sup> 20 ga. stranded thermocouple wire  
<sup>1,2,3</sup> RTD-24 ga. teflon wire